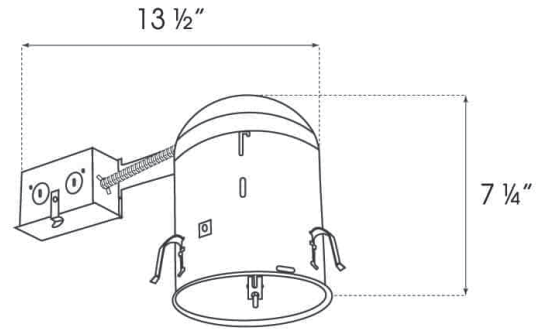




MRH5000R

5" REMODELING • NON-IC • LINE VOLTAGE
RECESSED DOWNLIGHTS

Type	
Project	
Catalog No.	



Ceiling Cutout 5 1/2" Ø

ORDERING INSTRUCTIONS

MODEL: MRH5000R

DESCRIPTION

- 5" Line Voltage Non-IC Remodel Housing.
- Thermally protected, listed for damp locations.
- UL listed for feed-through branch circuit wiring.
- Dimmable with incandescent dimmers.
- Remodel downlight housing allows wiring below ceiling plane.
- J-box accessible through ceiling cut-out.
- Fits 8" joist ceiling space.
- Non-IC units require 3-inch clearance on all sides.
- Dimensions: 6 1/8"W x 13 1/2"L x 7 1/4"H
- Cut-Out: 5 1/2" Ø

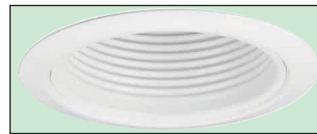
LAMPS:

120V PAR20, PAR30, R20, R30, A19 75W Max. Sold separately.

WIRING:

Housing is supplied with thermal protector.
Pulse-rated Socket to prolong life of LED bulbs.

TRIMS



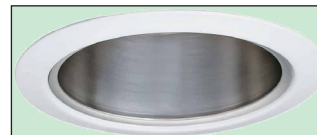
FD5018-WHWH
Metal Step Baffle
3 5/8" A x 6 1/4" Ø



FD5018-WHBK
Metal Step Baffle
3 5/8" A x 6 1/4" Ø



FD-5018-SN
Metal Step Baffle
3 5/8" A x 6 1/4" Ø



FD5018-WHCH
White Trim/Chrome
Reflector Aperture Cone
4 1/4" A x 6 1/4" Ø



FD-5013-WH
Adjustable Gimbal Ring
Also available in Satin
Nickel
4 1/4" A x 6 1/4" Ø
Vertical Adj: 30°



LUX Unlimited, Inc.
4121 NW 27th St.
Miami, FL 33142

800-326-4256
305-871-8774
futuredesigns1@hotmail.com

www.futuredesigns.us